



# MASS FLOW METER CO-20A

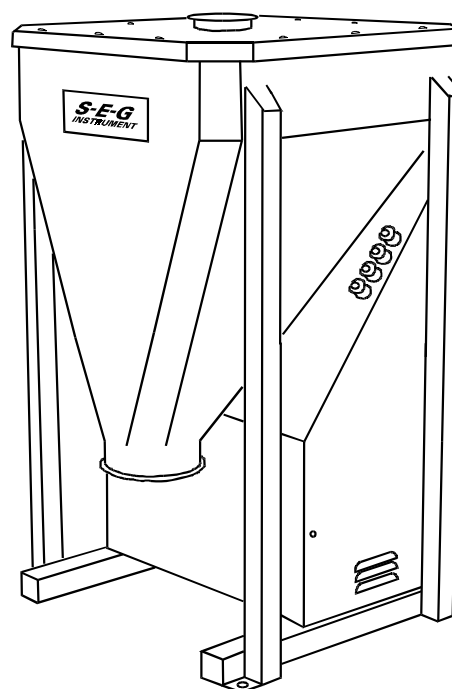
The **SEG** mass flow meter type **CO-20** offers a high precision measurement device for bulk solids combined with easy installation procedure in existing material flows.

Stainless steel design with a minimum of moving parts, ensure maximum reliability with easy maintenance.

Designed for easy installation with lowest distance between inlet and outlet flanges.

Only cables for mains power and transducer/tachometer connection required to instrumentation.

Optional turbines for abrasive materials available.



## CAPACITY

Capacity	min.	kg/h	2000
	max	kg/h	20000
		lit/h	20000
Bulk density	min.	ton/m <sup>3</sup>	0.3
Piece size	max.	mm	10
Material temperature	max.	°C	70

Limits are for guidance, and depend on material specifications.

## TECHNICAL DATA

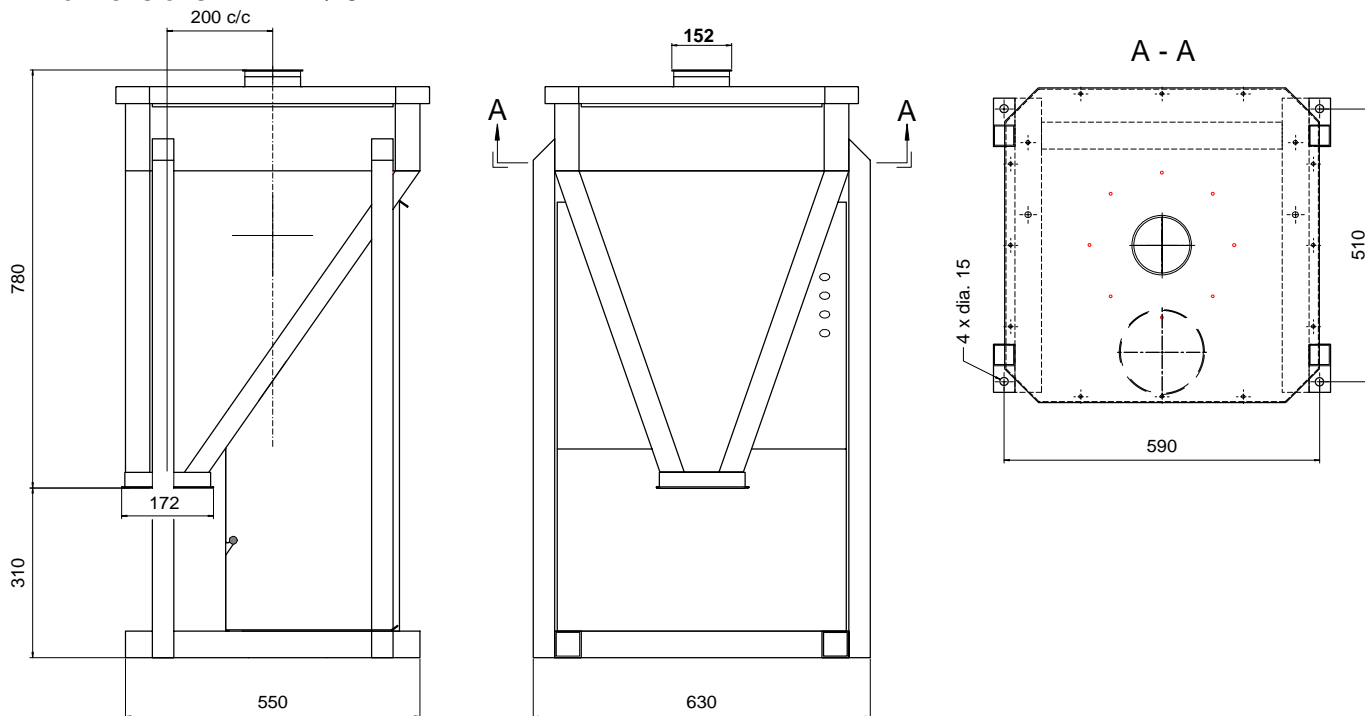
Ambient temp.	°C	0 - 40
Material inlet/outlet:	mm	140/160
Accuracy:	Typically 0.5 - 1.0 % depending on capacity/material.	
Drive:	3PH 220/380 V, 0.55 kW, IP54.	
Load sensor:	S-E-G Torque transducer type ON4-, IP67.	

## ADDITIONAL

Motor control:	By frequency controller.
Design:	Stainless steel SIS 2333 (AISI 304).
Weight:	Approx. 70kg.

## DIMENSIONS

All dimensions in mm +/-5



## DESIGNATIONS

Flow meter: CO-20A  
Load sensors: ON4-2.0  
ON4-3.5  
ON4-5.0  
ON4-7.0

The size of load sensor is determined by your local dealer when all necessary data is received

Frequency controller: CON-075E

## OPTIONS

Turbine for abrasive materials.

